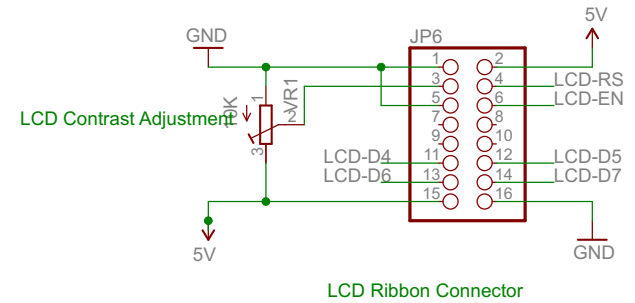
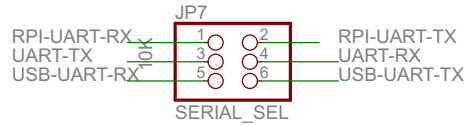
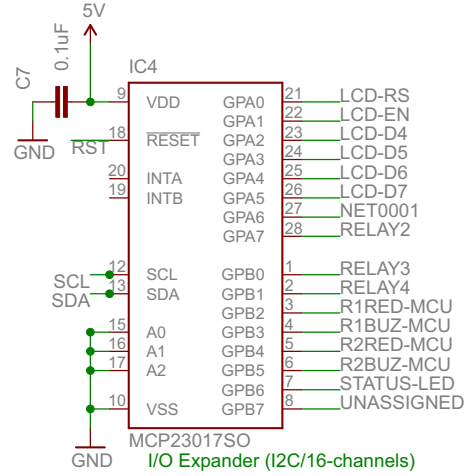
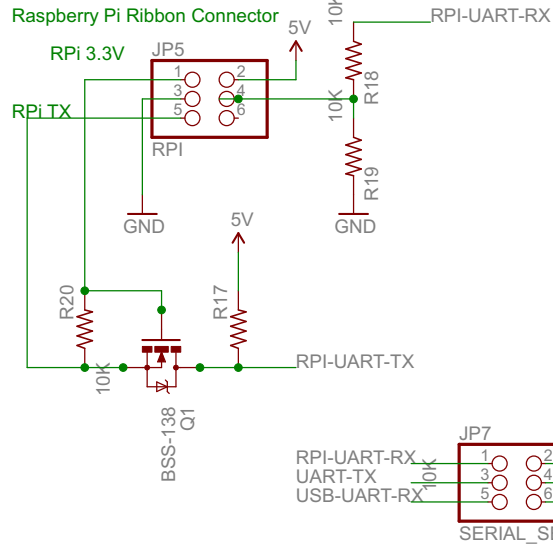
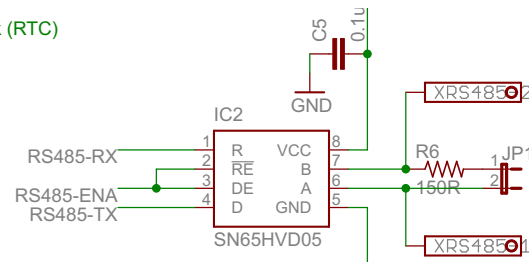
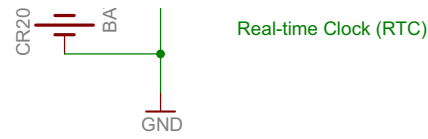
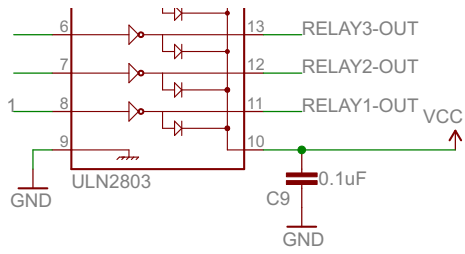


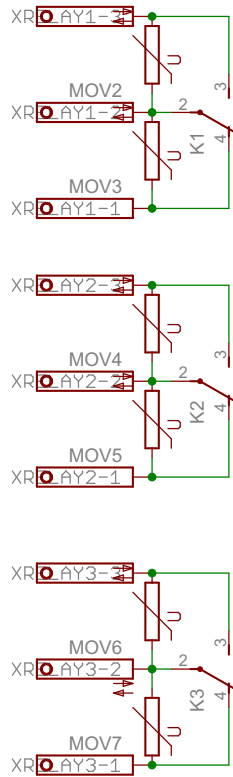
RELAT3-001

RELAT4-001

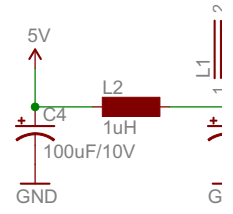
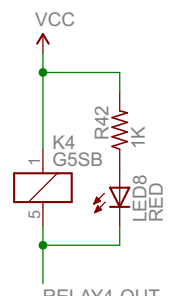
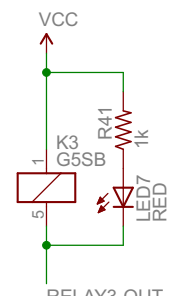
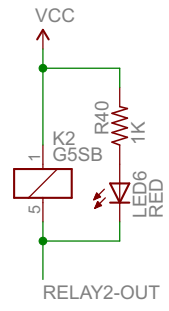
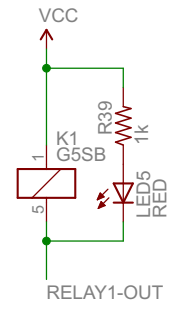
RELAY3
 RELAY2
 NET000



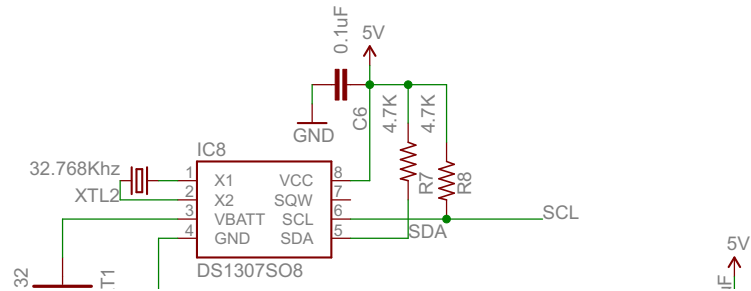
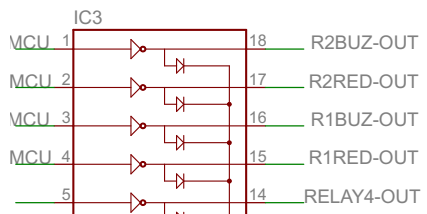
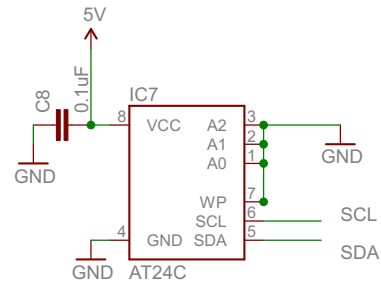
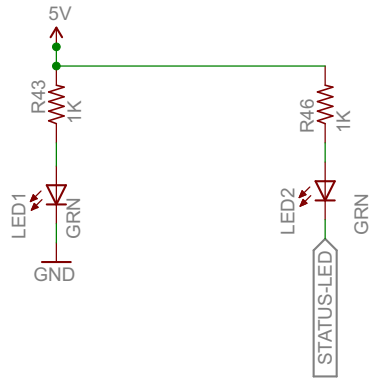
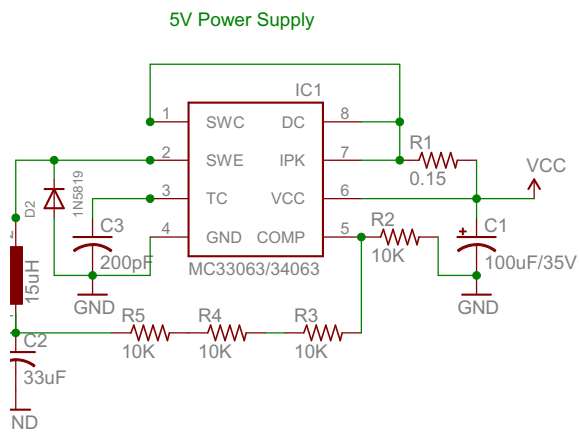


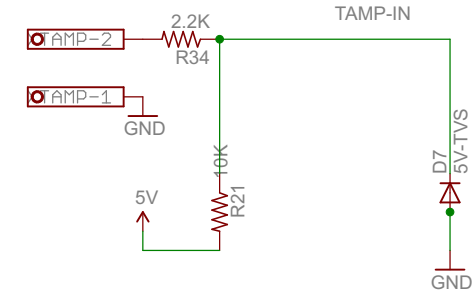
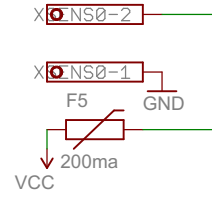
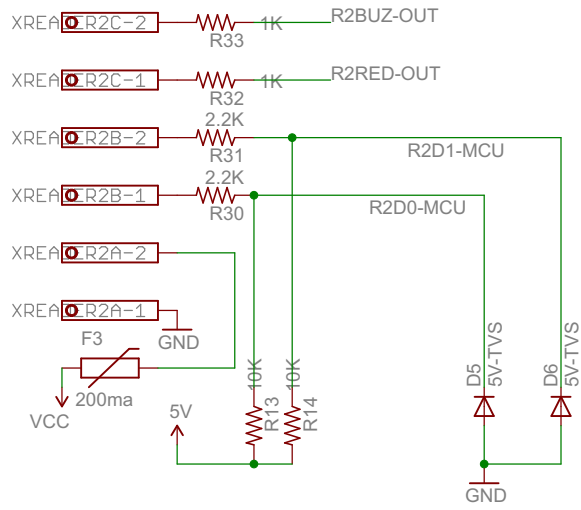
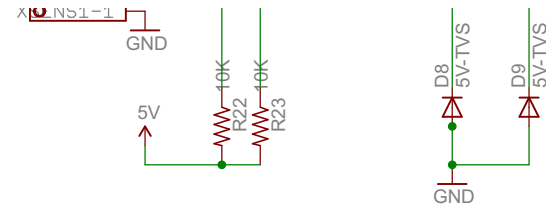
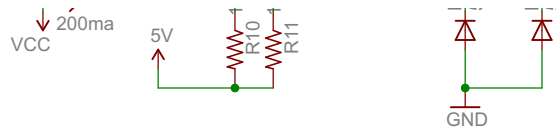


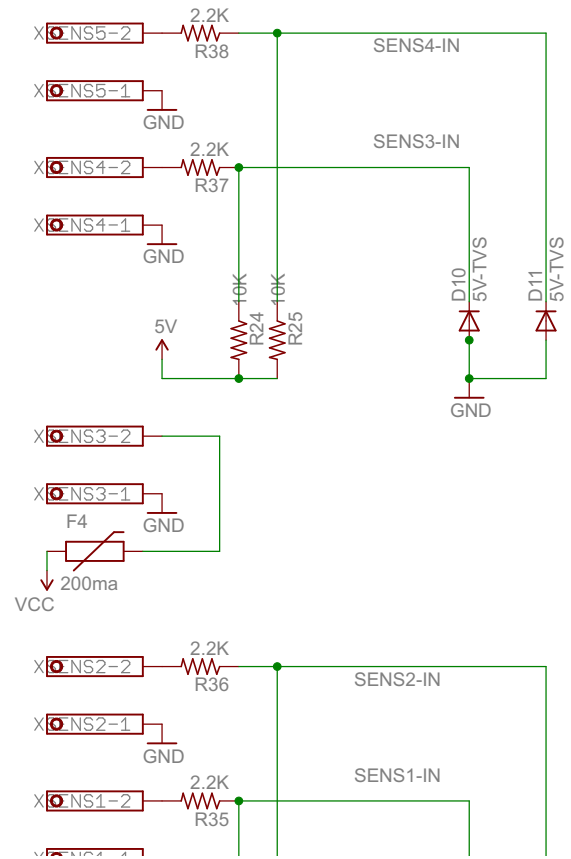
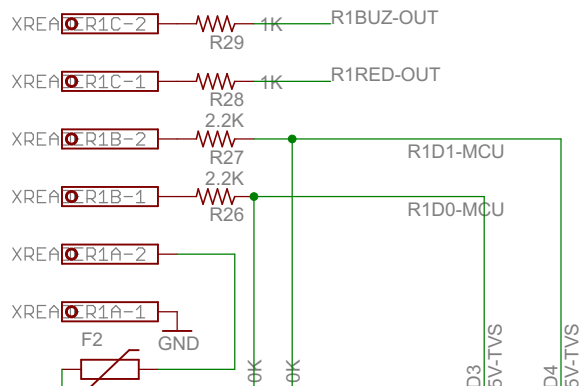
SILK S05K11NOSILK S05K11NOSILK S05K11NOSILK S05K11NOSILK S05K11NOSILK S05K11NOSILK S05K11NOSILK S05K11NOSILK S05K11NOSILK S05K11NOSILK S05K11NOSILK

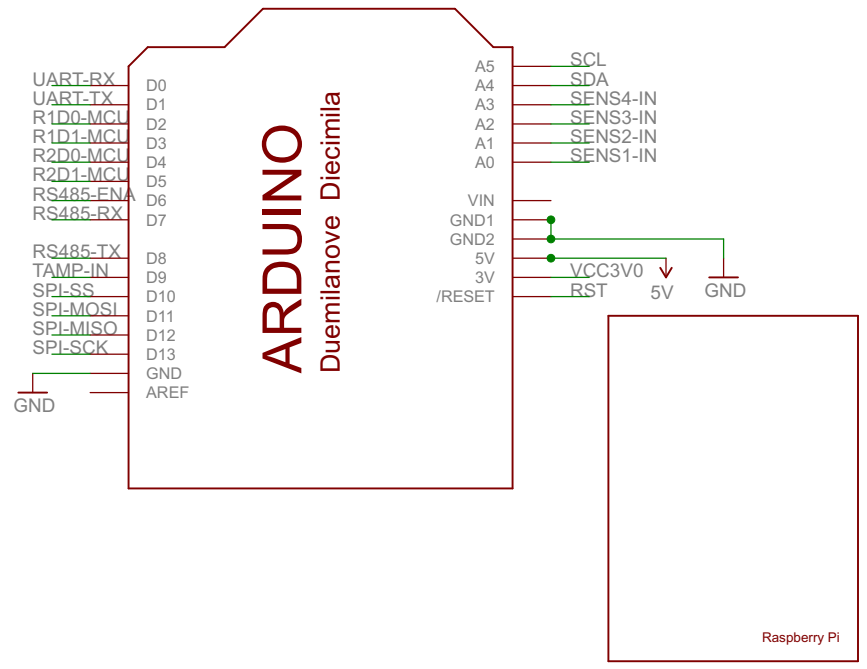


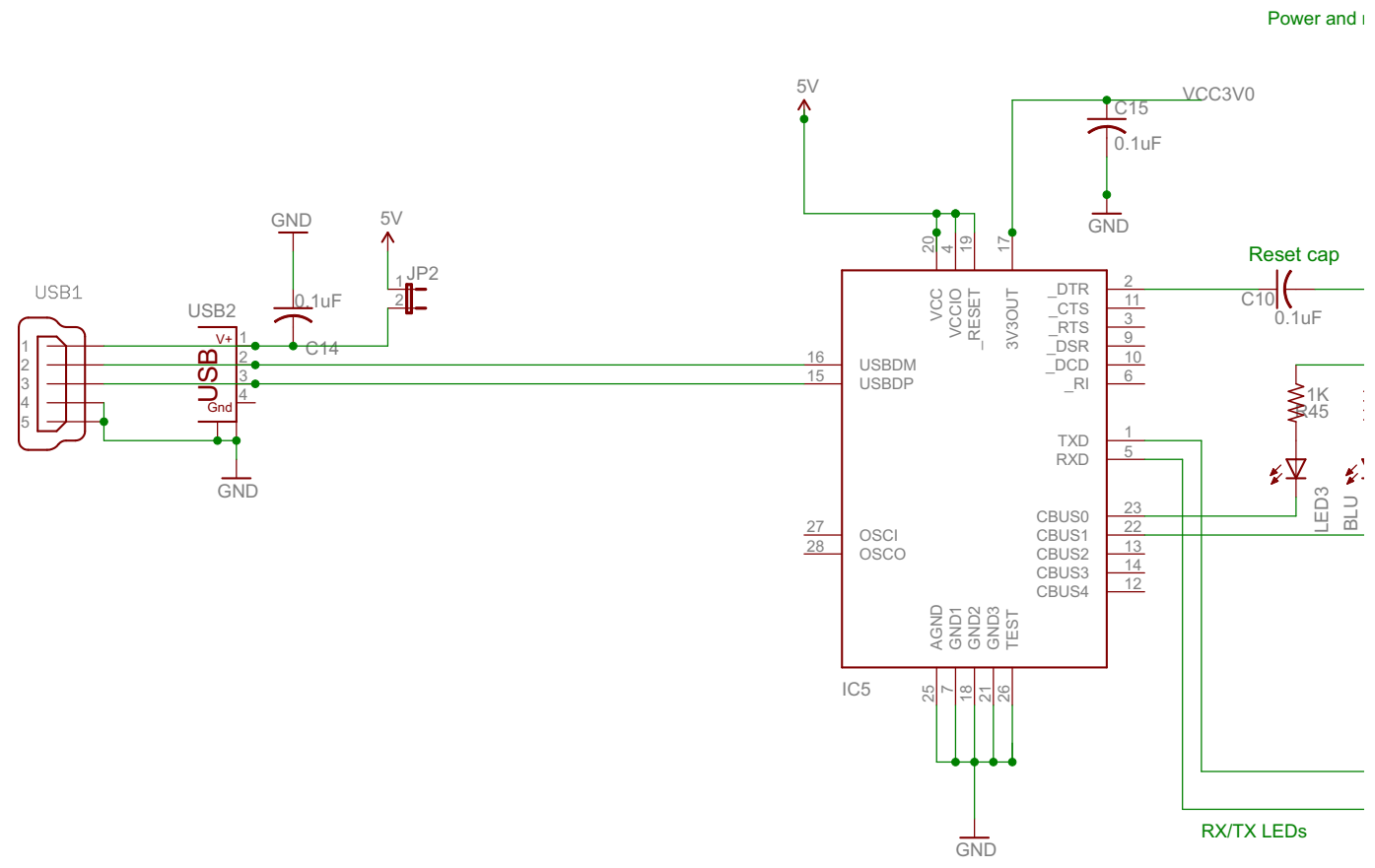
R2BUZ-
 R2RED-
 R1BUZ-
 R1RED-
 RELAY4





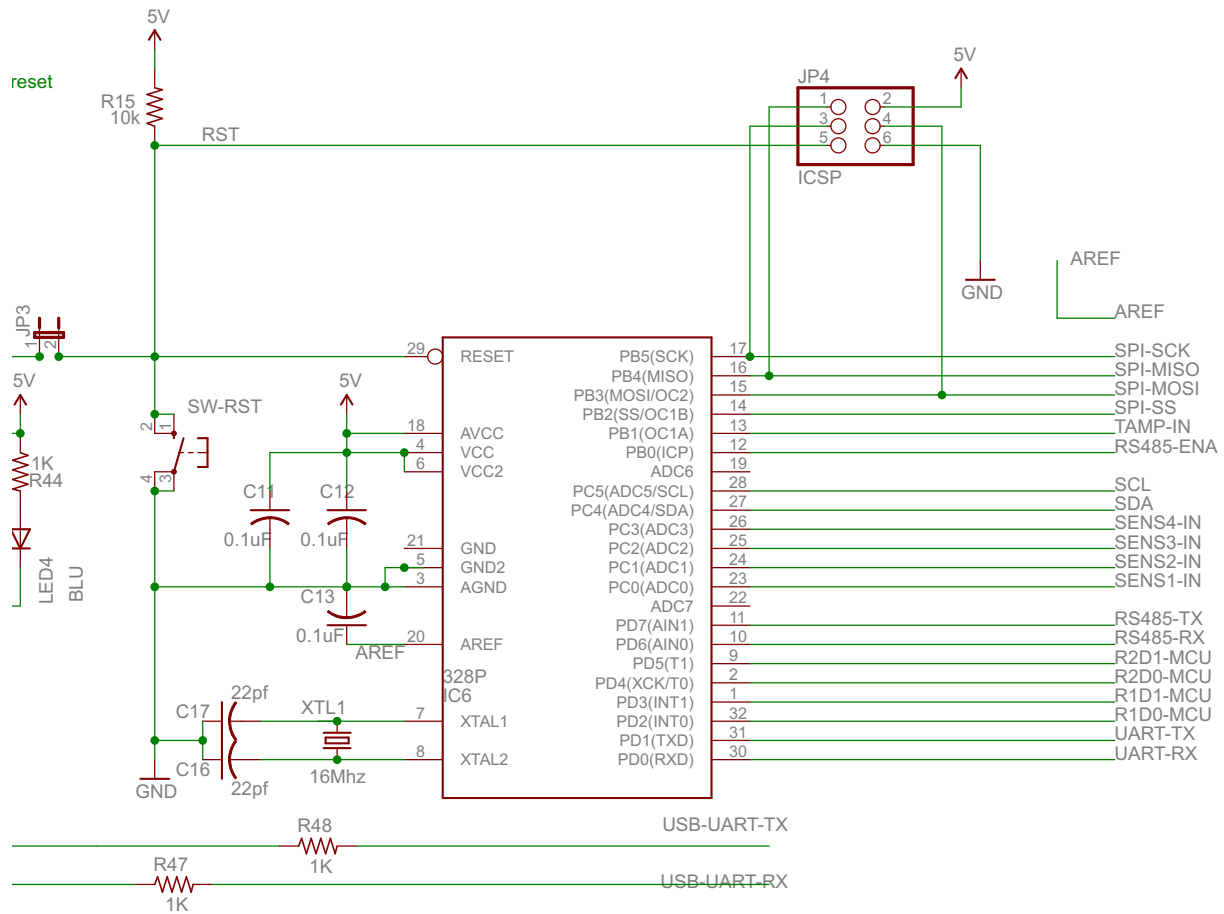






Power and i

RX/TX LEDs



Digital Pins 8-13

Analog pins 0-5

Digital pins 0-7